



The Hoistway Obstruction Shield Systems are used to prevent elevator traveling cable from repeatedly striking obstructions in the hoistway and from crossing over into adjoining hoistways. Their use may help avoid possible interference and extend the life span of the installed elevator cables and assist in meeting NEC Rule 620.43.

INSTALLATION PROCEDURE:

Upper Hitch:

- Unroll a portion of wire mesh about 2-3 feet. Fold over the mesh (for strength), and sandwich the fold together, using (2) flat brackets. Secure this with (3) bolts, nuts & washers in upper holes a, c, and e (See Diagrams on back).

Mounting Upper Hitch onto Flat Wall

- Drill first hole for concrete anchor into wall. Place (1) washer onto concrete anchor. Use (1) 3/8"x1-3/4" coupling nut to secure anchor into position. Repeat this step for second hole.
[Note: Holes should be drilled with 10" between the centers.]
- Thread (1) nut onto the concrete anchor tight against the coupling nut. Place (1) washer adjacent to the second nut. Repeat this for the second anchor. **(See View 1)**
- Mount the assembled upper hitch onto the wall anchors through upper bracket holes b and d. Secure with (1) nut & washer on each anchor.

Mounting Upper Hitch onto I - Beam

- Drill two holes with 10" between the centers into the bottom of the I-beam.
(See View 2)
- Place (1) 3/8"x3" bolt through the each hole from the bottom of the beam. Secure with (1) nut.
- Mount the assembled upper hitch onto the bolts through upper bracket holes b and d. Secure with (1) nut and washer on each bolt.

Lower Hitch:

- Measure and cut wire mesh so that it comes within 12 to 14 inches from the floor. Fold over 1" to 2" of the mesh or more (for strength), and sandwich the fold together, using the angle bracket and (1) flat bracket. Secure this with (3) bolts, nuts & washers in lower holes a, c, and e. **(See View 3)**
- Place (1) nut on one side of the (1) 3/8" threaded rod, and then insert opposite end of rod into hole b. Repeat this step with the remaining piece of 3/8" threaded rod and insert it into hole d.
- Thread (1) 3/8"x1-3/4" coupling nut half way onto the bottom of the threaded rods used above.
- Try to align the upper and lower mounting holes b and d. Mark the aligned location for the bottom anchor and temporarily move the assembly out of the way for the drilling operation.
- Drill first hole for concrete anchor into floor. Place (1) washer onto concrete anchor. Use (1) nut to secure the anchor into position. Repeat this step for second hole.
[Note: Holes should be drilled with 10" between the centers.]

Final Adjustments:

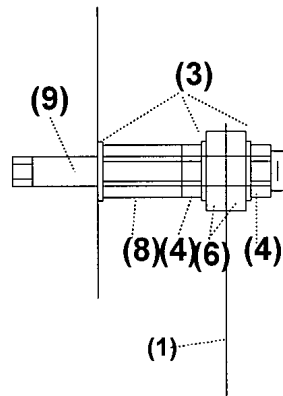
- Tighten the adjusting nuts on the top of the threaded rod, so the wire mesh is taut.
- As with all Draka EP products, a routine inspection program should be implemented to maximize product safety and performance.



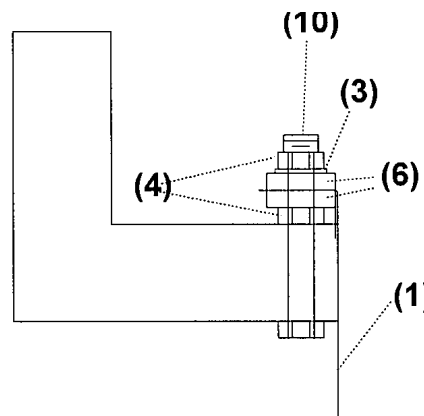
Item Description

- 1) Hardware Cloth (18" x 75', 100' or 150')
- 2) Bolt 3/8"x1"
- 3) Lock Washer 3/8"
- 4) Nut 3/8"
- 5) Angle Sandwich Plate
- 6) Flat Sandwich Plate
- 7) Threaded Rod 3/8"x18"
- 8) Coupling Nut 3/8"x1-3/4"
- 9) Concrete Anchor Bolt 3/8"x5"
- 10) Bolt 3/8"x3"

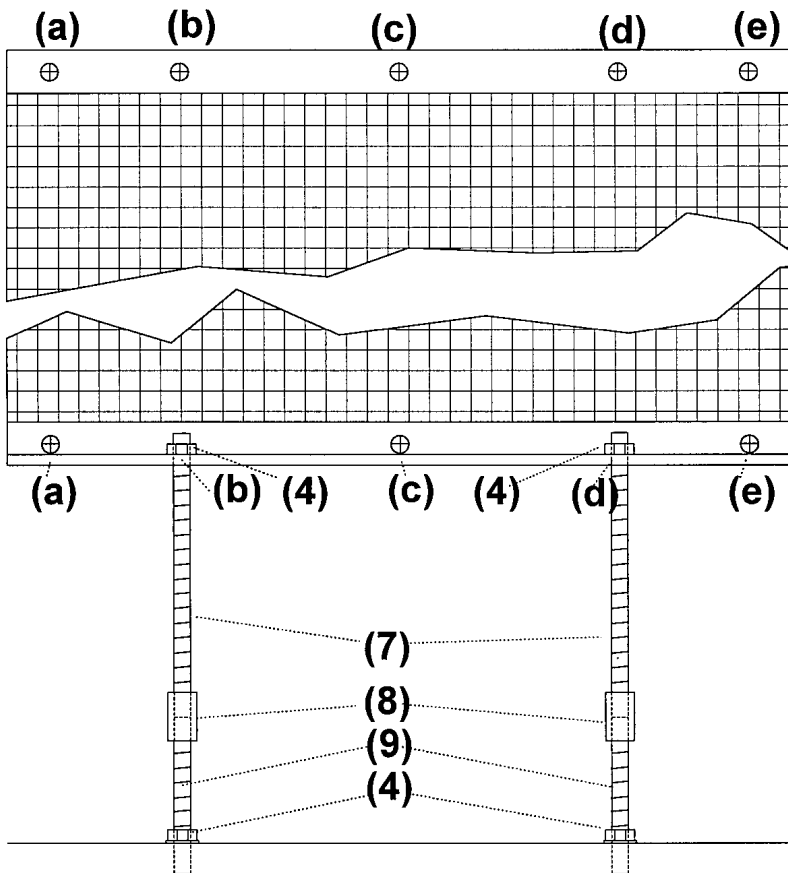
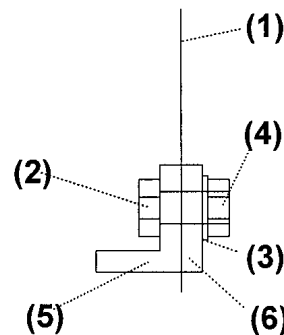
VIEW 1: Upper Hitch on Flat Wall



VIEW 2: Upper Hitch on I-Beam



VIEW 3: Lower Hitch Point



DEP-HOSS/001

BIG-HOSS, LIL-HOSS, Draka Elevator Products and the Draka Globe Design are trademarks of Draka Elevator Products, Inc.

© Draka Elevator Products, Inc.
All Rights Reserved
January 2003

Draka Elevator Products, Inc.
2151 North Church Street
P.O. Box 400
Rocky Mount, NC 27804
252-972-6000
877-DRAKA-EP (877-372-5237)
Fax: 252-972-6001