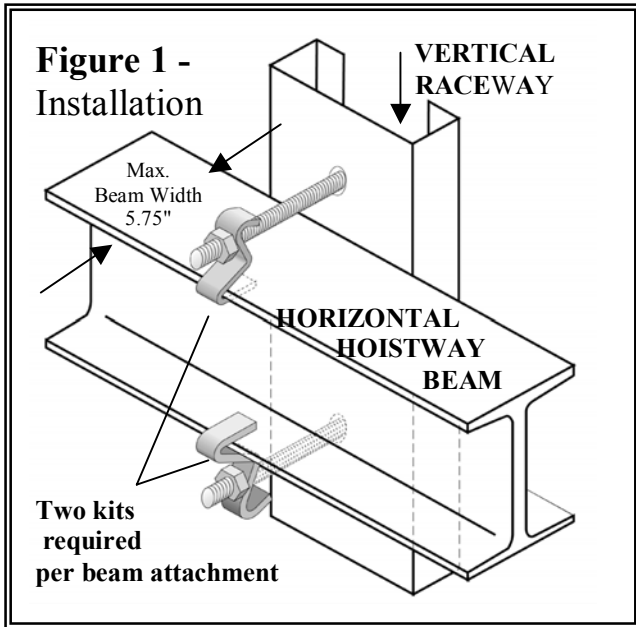




Draka Elevator Products, Inc.

# TROUGH MOUNTING BRACKET KIT (TR-MTG-KIT) INSTRUCTIONS



The Trough Mounting Bracket kit is designed to mount electrical raceway vertically to horizontal beams in the hoistway (Figure 1).

The width of the beam can be a maximum of 5.75 inches (146 mm).

Two Trough Mounting kits are required per beam to secure the raceway to the beam.

DEP-TR-MTG-KIT/001

Draka Elevator Products and the Draka Globe Design are trademarks of Draka Elevator Products, Inc.

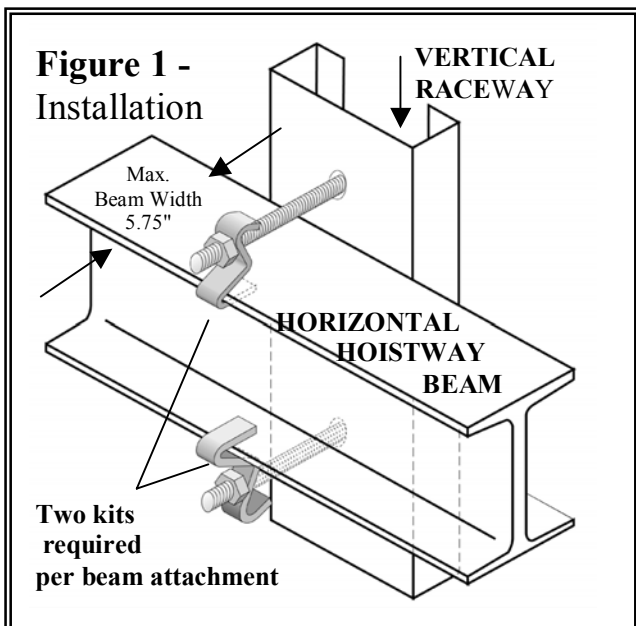
© Draka Elevator Products, Inc.  
All Rights Reserved  
September 2004

**Draka Elevator Products, Inc.**  
2151 North Church Street  
P.O. Box 400  
Rocky Mount, NC 27804  
252-972-6000  
877-DRAKA-EP (877-372-5237)  
Fax: 252-972-6001



Draka Elevator Products, Inc.

# TROUGH MOUNTING BRACKET KIT (TR-MTG-KIT) INSTRUCTIONS



The Trough Mounting Bracket kit is designed to mount electrical raceway vertically to horizontal beams in the hoistway (Figure 1).

The width of the beam can be a maximum of 5.75 inches (146 mm).

Two Trough Mounting kits are required per beam to secure the raceway to the beam.

DEP-TR-MTG-KIT/001

Draka Elevator Products and the Draka Globe Design are trademarks of Draka Elevator Products, Inc.

© Draka Elevator Products, Inc.  
All Rights Reserved  
September 2004

**Draka Elevator Products, Inc.**  
2151 North Church Street  
P.O. Box 400  
Rocky Mount, NC 27804  
252-972-6000  
877-DRAKA-EP (877-372-5237)  
Fax: 252-972-6001