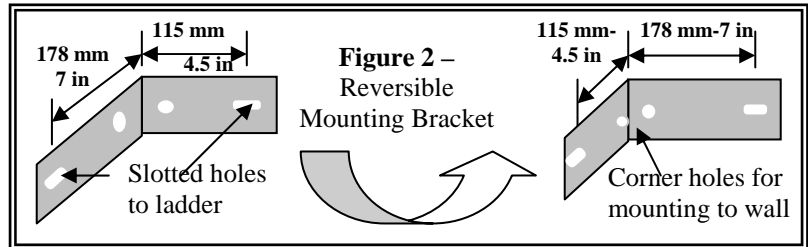
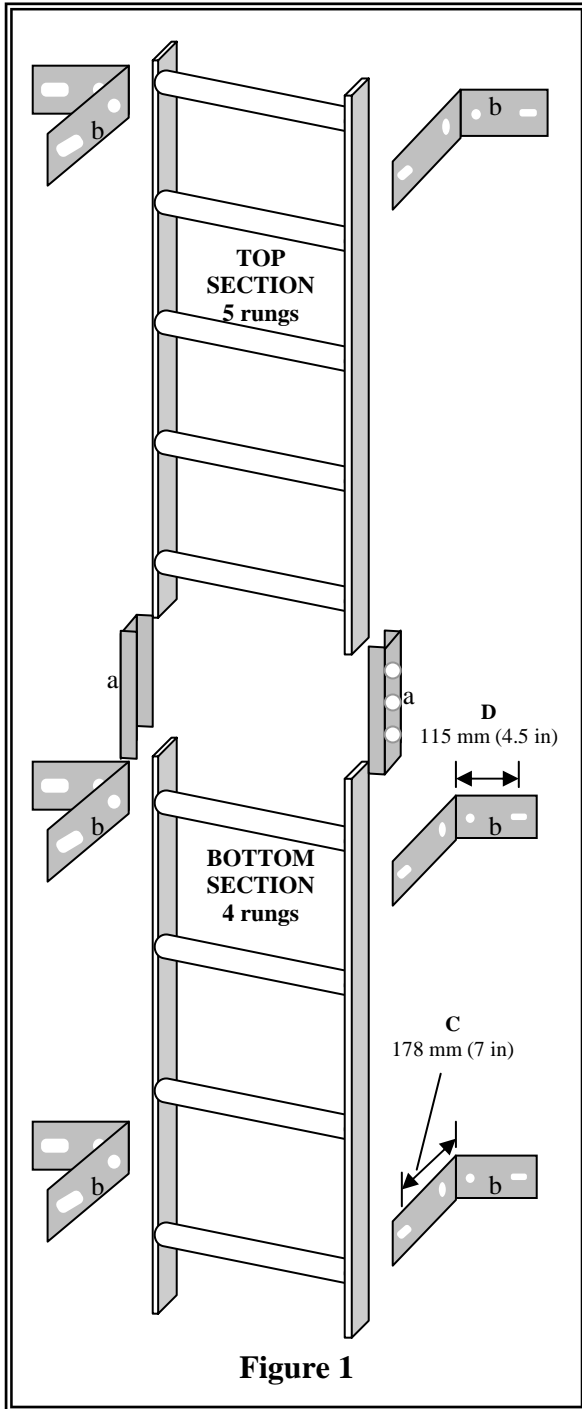




Draka Elevator Products' Elevator Pit Ladder is designed to allow for safe and convenient access to elevator pits from the lowest hoistway door or landing and is easy to assemble and install. Properly installed, it complies with ASME A17.1.

**ASSEMBLY:**

1. Attach the two ladder sections together using the 3-hole, channel splices (Figure 1 – a) and their associated fasteners. The top ladder section has five rungs versus the bottom section that has four rungs. The flat, 3-hole splices should be attached inside the channel-shaped siderails.
2. Attach the L-shaped brackets (Fig. 1 - b) to the ladder using the associated fasteners. The L-shaped brackets are reversible so that the ladder can be mounted with its rungs either 4.5 inches or 7 inches from the wall (Fig. 1 – Dimension C or D). The brackets should be attached using the pre-drilled holes, where the slotted holes are used to mount the L-bracket to the ladder and the corner holes used for mounting the ladder to the wall (See Figure 2).
3. Install the ladder using the Key Installation Points below.



**KEY INSTALLATION POINTS:**

- Install the ladder so that the distance from the rungs' and side rails' centers to the wall(s) is at least 115 mm (or 4½ in.) (Dimension D).
- Install the ladder so that the horizontal distance from the siderails to any other wall or obstruction is at least 115 mm (or 4 ½ in.).
- Install the ladder so that nearest point of the ladder is within 1000 mm (or 39 in.) measured horizontally from the means to unlock the egress door from the pit.
- Install the ladder so that it extends a minimum of 1200mm (48 in.) above the sill of the access door.